



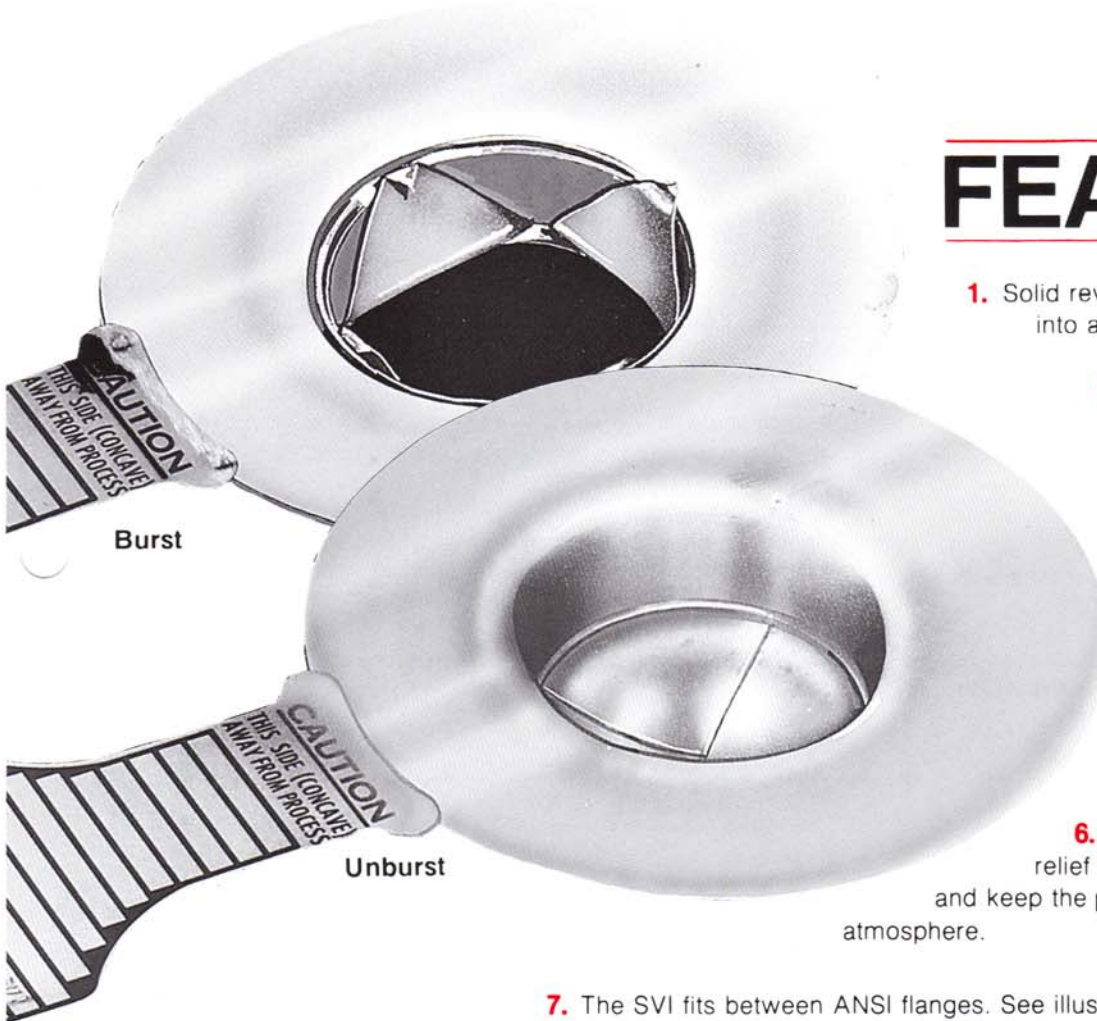
BS&B SAFETY SYSTEMS, L.L.C.
BS&B SAFETY SYSTEMS LTD.

SVI RUPTURE DISK ASSEMBLY FOR RELIEF VALVE ISOLATION

CATALOG
77-4005

SECTION D-4

A new one piece disposable rupture disk assembly for isolating safety-relief valves. For retrofit with fixed piping.



FEATURES:

1. Solid reverse buckling S-90 Disk welded into a flange assembly.
2. Petals open up along scored (pre-weakened) lines.
3. Petals open up to give full flow.
4. Available in sizes 1½" thru 6," including 2½."
5. Teflon* Boot available upon request for process side of SVI.
6. Designed specifically to isolate relief valves from the process media and keep the process fluid from leaking to the atmosphere.

7. The SVI fits between ANSI flanges. See illustration on backside.
8. A pair of asbestos gaskets supplied with each SVI assembly.
9. Standard disk materials will be Nickel and Inconel. The body and flange will be 316 Stainless Steel. Consult BS&B for other Disk Materials.

BENEFITS:

1. No piping changes are required for retrofit of existing relief valve systems.
2. No knife blades to maintain.

Teflon® is generally used, other appropriate fluorochemicals may be supplied. Teflon® is a registered trade mark of Dupont.



SELECTION DATA

BS&B SAFETY SYSTEMS, L.L.C.
BS&B SAFETY SYSTEMS LTD.

SPECIFICATIONS FOR SVI RUPTURE DISKS AT 72°F

NOMINAL PIPE SIZE (INCHES)	SVI SIZE (INCHES)	DISK BURST PRESSURES PSIG			
		NICKEL 200		INCONEL 600	
		MIN	MAX	MIN	MAX
1½	1½	125	400	150	400
2	2	90	400	110	400
2½	2½	90	400	110	400
3	3	75	350	90	350
4	4	60	300	72	300
6	6	50	250	60	250

ENGINEERING INFORMATION

Minimum and maximum pressure ratings are applicable at 72°F.

SVI Flanges are 316 stainless steel or Inconel.

Manufacturing Range:

- Inconel and nickel rupture disks are available with 5% and 10% manufacturing range.
- On these 5% and 10% manufacturing ranges, the total range is placed on the minus side of the requested pressure rating.

Example:

If a 200 psig SVI is ordered with a 10% manufacturing range, it may be tagged at any pressure between 200 psig and 180 psig.

Burst Tolerances:

Burst tolerances are the maximum variation from the above tagged burst pressure.

Disks tagged above 40 psig. Burst Tolerance $\pm 5\%$.
Disks tagged 40 psig and below: ± 2 psi.

Recommended maximum temperatures for each metal are:

Inconel: 900°F.
Nickel: 750°F.

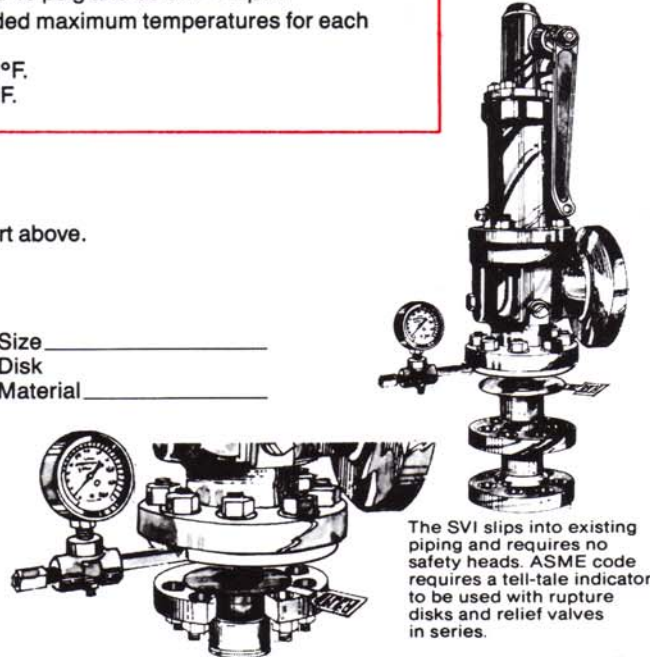
HOW TO SELECT:

STEP 1: Select the proper SVI to fit your nominal pipe ID in the chart above.
NOTE: Fits schedule 80 and lighter piping.

STEP 2: Check proper material for your application pressures and temperatures required:

STEP 3: To Order Specify:

- Quantity _____
- Temperature _____
- Burst Pressure _____
- Teflon* _____
- Boot (optional) _____
- Size _____
- Disk Material _____



The SVI slips into existing piping and requires no safety heads. ASME code requires a tell-tale indicator to be used with rupture disks and relief valves in series.

NOTE: Products, specifications, and all data in this literature are subject to change without notice. Questions regarding product selection and specifications for specific applications should be directed to BS&B, Attn: Customer Service Dept.

BS&B SAFETY SYSTEMS, INC., 7455 E. 46TH STREET TULSA, OK 74147 PHONE: 918-622-5950 FAX: 918-665-3904 1-800-272-3475
BS&B SAFETY SYSTEMS, LTD., RAHEEN BUSINESS PARK, RAHEEN, LIMERICK, IRELAND PHONE: 353-61-22702 FAX: 353-61-227987
© BS&B SAFETY SYSTEMS, INC.